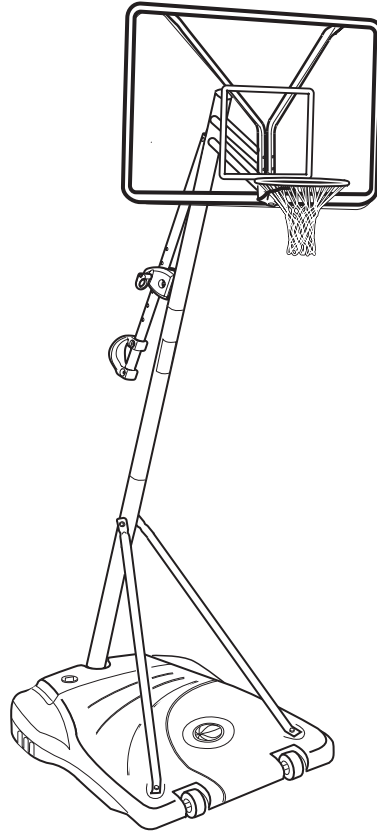


HUFFY[®]SPORTS

Portable System Owners Manual

Customer Service Center

• N53 W24700 South Corporate Circle • Sussex, WI 53089 • U.S.A.



! WARNING!

**READ AND UNDERSTAND
OPERATOR'S MANUAL
BEFORE USING THIS UNIT.**

**FAILURE TO FOLLOW
OPERATING INSTRUCTIONS
COULD RESULT IN INJURY
OR DAMAGE TO PROPERTY.**

REQUIRED TOOLS AND MATERIALS:

- Two People
- Tape Measure
- Wood Board (Scrap)
- Wrenches: (Two) 7/16", 1/2", 9/16", 3/4" or Large and Small Adjustable Wrenches
- Safety Goggles
- Sawhorse or Support Table
- Step Ladder 8 ft. (2.4 m)
- Garden Hose or Sand (225 lb.) (102 kg)
- Hammer
- Tape
- Phillips Head Screw Driver

Toll-Free Customer Service Number for U.S: **1-800-558-5234**,

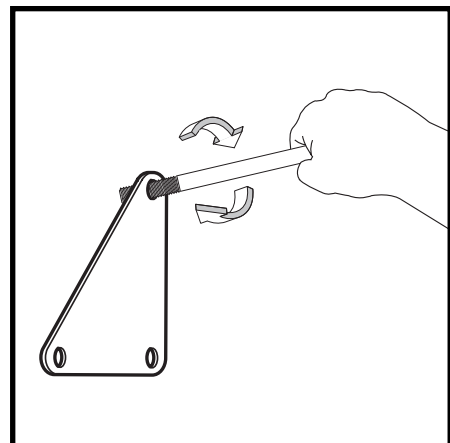
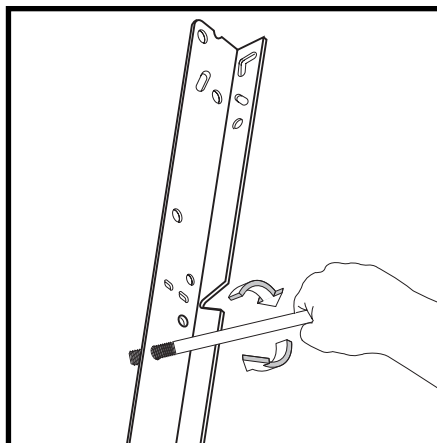
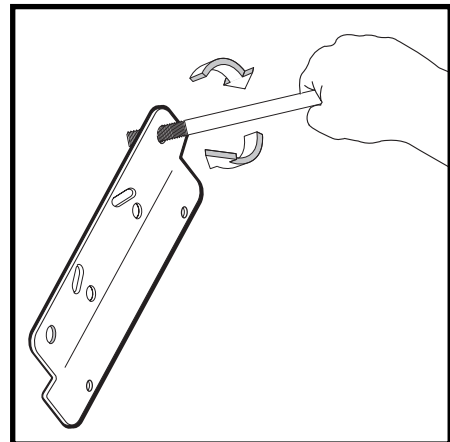
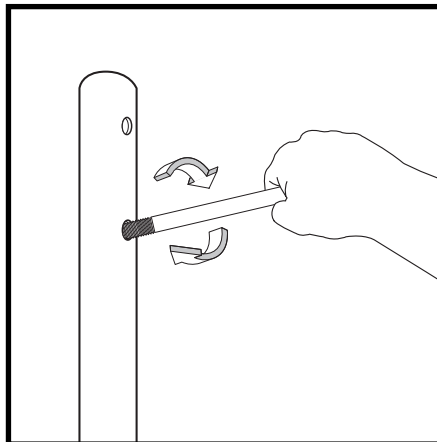
For Canada: **1-800-284-8339**,

For Europe: **00 800 555 85234** (Sweden: **009 555 85234**),

For Australia: **1-800-333 061**

Internet Address: <http://www.huffysports.com>

BEFORE YOU START!



To ensure optimal playability of backboard system, a close tolerance fit between the elevator components and hardware is required. Test-fit large bolts into large holes of elevator tubes, backboard brackets, and triangle plates. Carefully rock them in a circular motion to ream out any excess paint from holes if necessary.

AVANT DE COMMENCER !

Pour garantir l'utilisation optimale du panneau, les composants du système élévateur et la visserie doivent être bien ajustés (serrés). À titre d'essai, insérez les gros boulons dans les gros trous des tubes du système élévateur, des supports du panneau et des plaques triangulaires. Basculez-les avec précaution en imprimant un mouvement circulaire pour éliminer l'excédent de peinture, si nécessaire.

¡ANTES DE COMENZAR!

Para asegurar el óptimo rendimiento del sistema del respaldo en el juego, se requiere un ajuste de tolerancia estrecha entre los componentes del elevador y el herraje. Pruebe el ajuste de los pernos grandes en los orificios grandes de los tubos elevadores, soportes del respaldo y placas triangulares. Cuidadosamente muévalos en círculos para eliminar cualquier exceso de pintura, si es necesario.

VORBEREITENDE MASSNAHMEN

Um sicherzustellen, dass das Korbwandssystem optimal für den Spielbetrieb geeignet ist, müssen die Komponenten der Verlängerungsvorrichtung und die verschiedenen Befestigungsteile fest miteinander verschraubt werden. Große Schrauben zur Probe in die großen Löcher der Verlängerungsrohre, Korbwandklammern und Dreiecksplatte stecken und diese vorsichtig in einer Kreisbewegung hin- und herbewegen, um eventuelle Farbrückstände aus den Bohrungen zu entfernen.



WARNING

FAILURE TO FOLLOW THESE WARNINGS MAY RESULT IN SERIOUS INJURY AND/OR PROPERTY DAMAGE.

Owner must ensure that all players know and follow these rules for safe operation of the system.

- **DO NOT HANG** on the rim or any part of the system including backboard, support braces or net.
- During play, especially when performing dunk type activities, keep player's face away from the backboard, rim and net. Serious injury could occur if teeth/face come in contact with backboard, rim or net.
- Do not slide, climb, shake or play on base and/or pole.
- After assembly is complete, fill system completely with water or sand and stake to the ground. Never leave system in an upright position without filling base with weight, as system may tip over causing injuries.
- When adjusting height or moving system, keep hands and fingers away from moving parts.
- Do not allow children to move or adjust system.
- During play, do not wear jewelry (rings, watches, necklaces, etc.). Objects may entangle in net.
- Surface beneath the base must be smooth and free of gravel or other sharp objects. Punctures cause leakage and could cause system to tip over.
- Keep organic material away from pole base. Grass, litter, etc. could cause corrosion and/or deterioration.
- Check pole system for signs of corrosion (rust, pitting, chipping) and repaint with exterior enamel paint. If rust has penetrated through the steel anywhere, replace pole immediately.
- Check system before each use for proper ballast, loose hardware, excessive wear and signs corrosion and repair before use.
- Check system before each use for instability.
- Do not use system during windy and/or severe weather conditions; system may tip over. Place system in the storage position and/or in an area protected from the wind and free from personal property and/or overhead wires.
- Never play on damaged equipment.
- See instruction manual for proper installation and maintenance.
- When moving system, use caution to keep mechanism from shifting.
- Keep pole top covered with cap at all times.
- Do not allow water in tank to freeze. During sub-freezing weather add non-toxic antifreeze, sand or empty tank completely and store. (Do not use salt.)
- Use extreme caution if placing system on sloped surface. System may tip over more easily.

HUFFY® SPORTS

In the U.S.: 1-800-558-5234 and Canada: 1-800-284-8339

201241 2/99



Questions or Missing Parts?

DON'T go back to store!

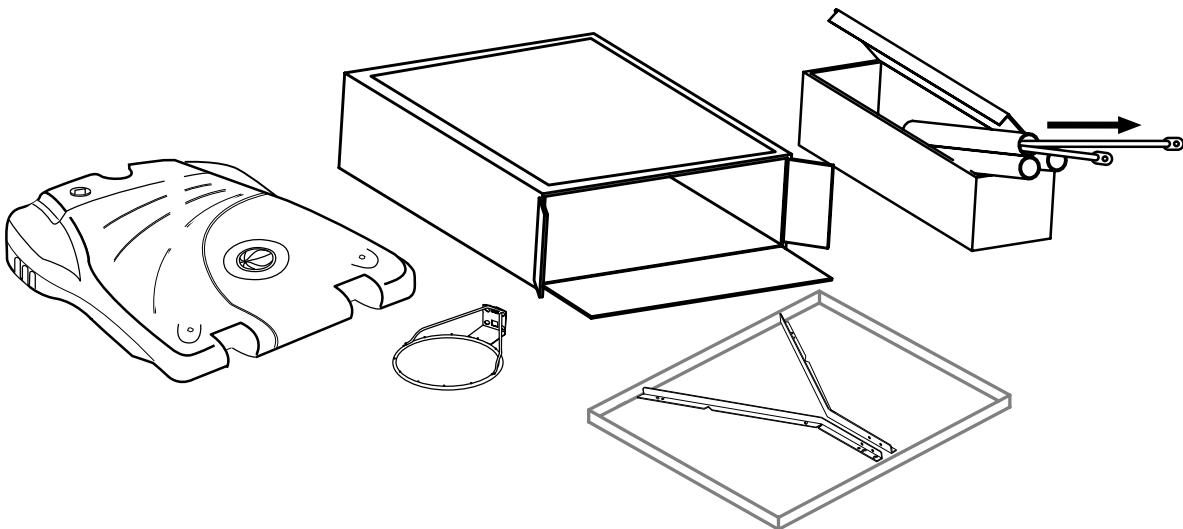
Call TOLL-FREE Customer Service
Number listed on the front page!

NOTICE TO ASSEMBLERS

ALL Huffy Sports Basketball Systems, including those used for DISPLAYS, MUST be assembled and ballasted with sand or water according to the instructions. Failure to follow instructions could result in SERIOUS INJURY. It is NOT acceptable to devise a makeshift weight system.

IMPORTANT!

**Remove all contents from boxes.
Be sure to check inside pole sections;
hardware and additional parts are packed inside.**



WARRANTY CARD:

Please remember to complete your product registration form either on-line at:
www.huffysports.com or mail-in the enclosed postcard.

WARNING: IF YOUR SYSTEM IS EQUIPPED WITH AN ACRYLIC BACKBOARD, EXAMINE BACKBOARD FOR ANY DAMAGE THAT MAY HAVE OCCURRED DURING SHIPMENT. CRACKS IN THE BACKBOARD COULD RESULT IN SUDDEN BREAKAGE. IF BACKBOARD IS DAMAGED IN ANY WAY PRIOR TO OR AFTER ASSEMBLY, CALL TOLL-FREE NUMBER FOR FREE REPLACEMENT:

U.S. 1-800-558-5234; CANADA: 1-800-284-8339; <http://www.huffysports.com>

For more information on assembly, placement, proper use, and maintenance, visit The American Basketball Council website at <http://www.smarthoops.com>.

SAFETY INSTRUCTIONS

FAILURE TO FOLLOW THESE SAFETY INSTRUCTIONS MAY RESULT IN SERIOUS INJURY, PROPERTY DAMAGE AND WILL VOID WARRANTY.

Owner must ensure that all players know and follow these rules for safe operation of the system.

To ensure safety, do not attempt to assemble this system without following the instructions carefully. Proper and complete assembly, use and supervision is essential for proper operation and to reduce the risk of accident or injury. A high probability of serious injury exists if this system is not installed, maintained, and operated properly. Check entire box and inside all packing material for parts and/or additional instructional material. Before beginning assembly, read the instructions and identify parts using the hardware identifier and parts list in this document.

- If using a ladder during assembly, use extreme caution.
- Two (2) people are recommended for this operation.
- Check base regularly for leakage. Slow leaks could cause system to tip over unexpectedly.
- Seat the pole sections properly (if applicable). Failure to do so could allow the pole sections to separate during play and/or transport of the system.
- Climate, corrosion or misuse could result in system failure.
- Minimum operational height is 6'6" (1.98 m) to the bottom of backboard.
- This equipment is intended for home recreational use only and NOT excessive competitive play.
- Read and understand the warning label affixed to pole. Label is shown to the right.
- The life of your basketball pole depends on many conditions: climate, placement of pole, the location of pole, exposure to corrosives such as pesticides, herbicides or salts. These are all important factors.
- If technical assistance is required, contact Huffy Sports.
- Adult supervision is recommended when adjusting height.

*Most injuries are caused by misuse and/or not following instructions.
Use caution when using this system.*

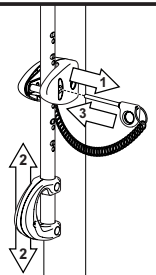
For more information on assembly, placement, proper use and maintenance, visit The American Basketball Council website at <http://www.smarthoops.com>.

54

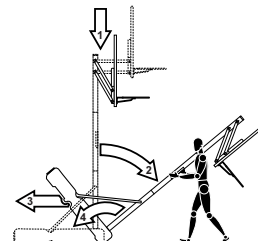
HEIGHT ADJUSTMENT

TO ADJUST BACKBOARD:

1. While holding handle, remove pin.
2. Move elevator up or down to desired height.
3. Replace pin full length to lock system at desired height.



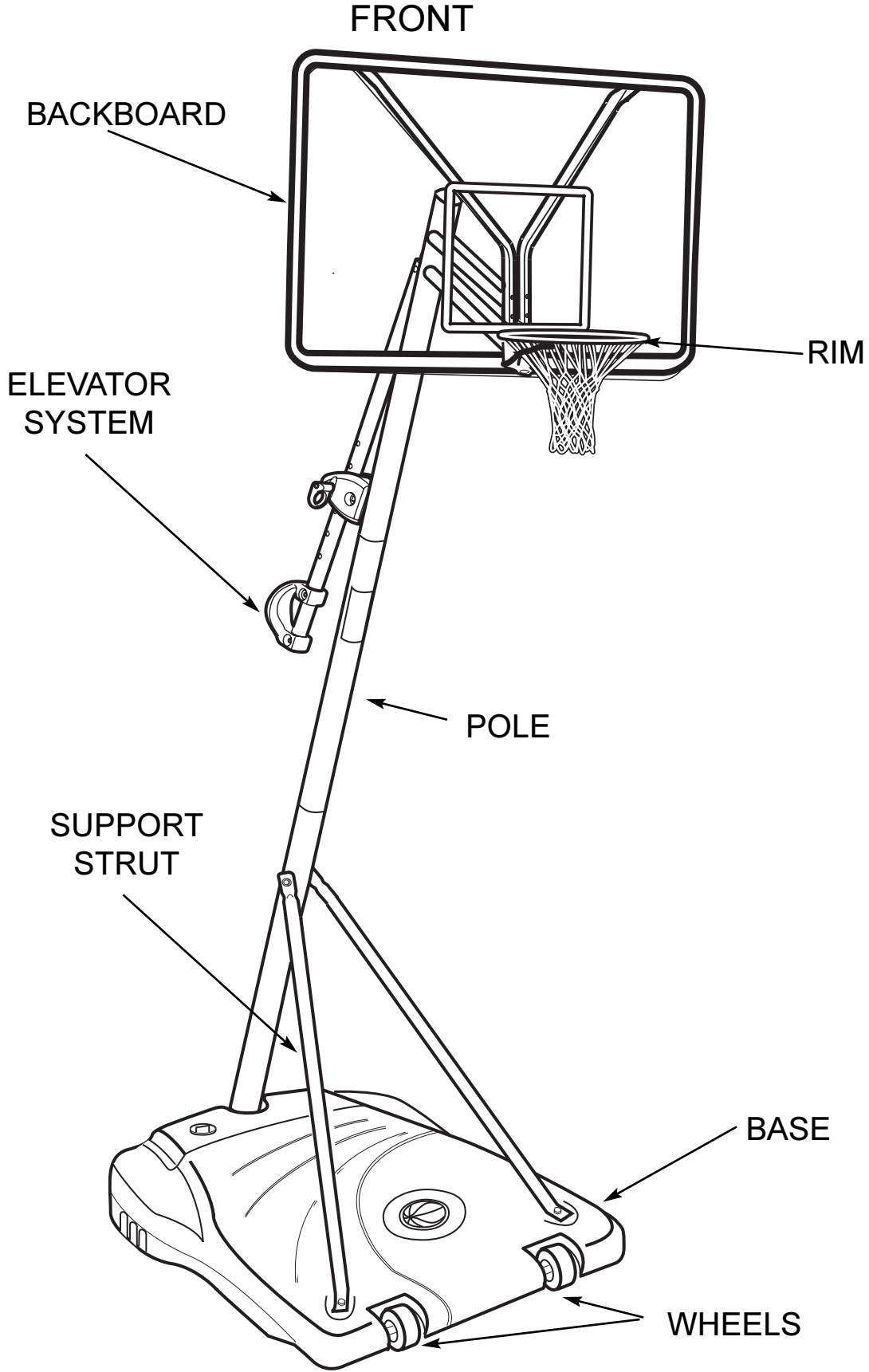
MOVING SYSTEM



1. Adjust basketball backboard height to lowest position.
2. While holding pole, rotate basketball system forward until wheels engage with ground.
3. Move basketball system to desired location.
4. Carefully rotate basketball system upright.
5. Reattach ground restraint and check system for stability.

201252 2/99

Get to know the basic parts of your basketball system.....

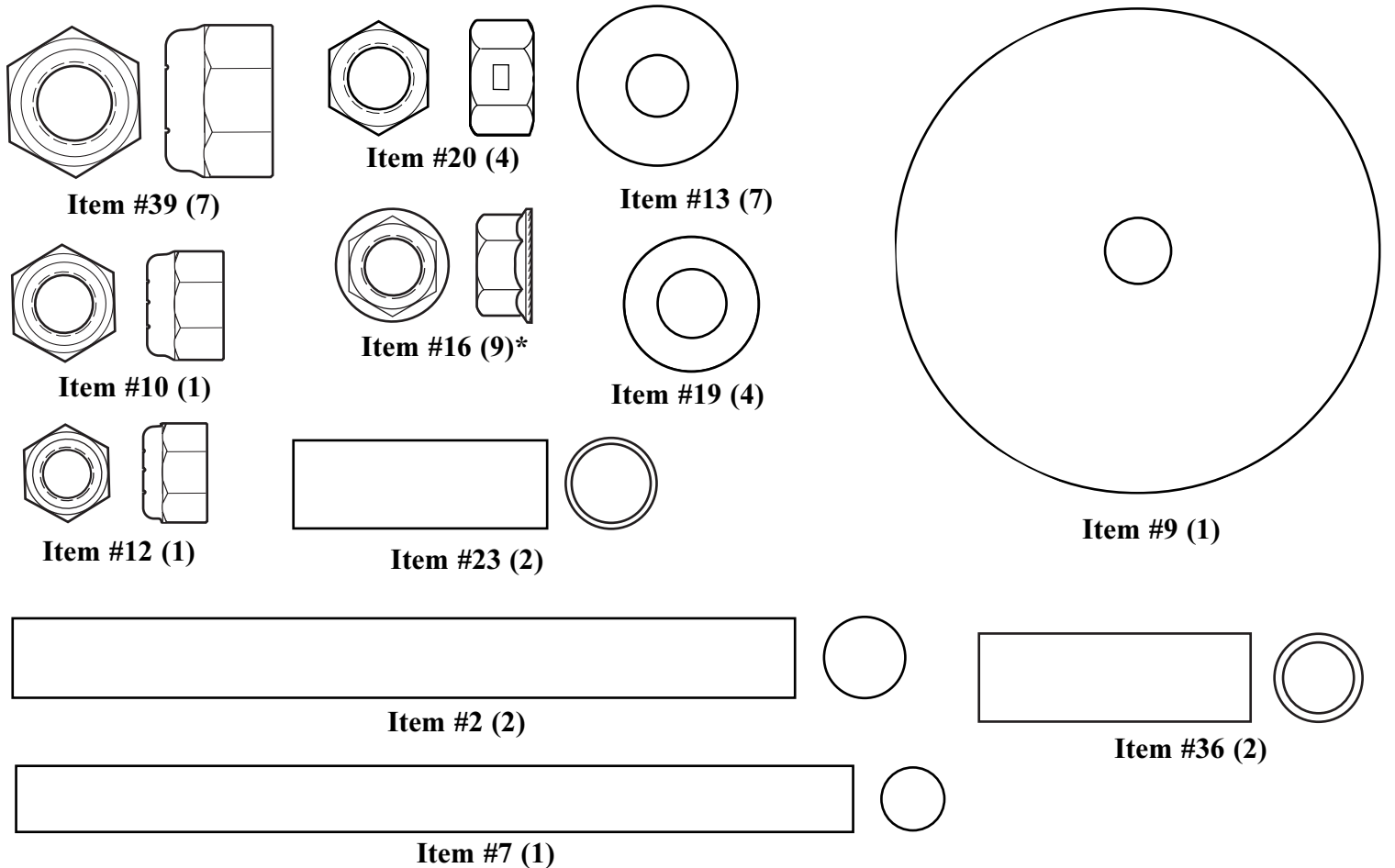


PARTS LIST - See Hardware Identifier

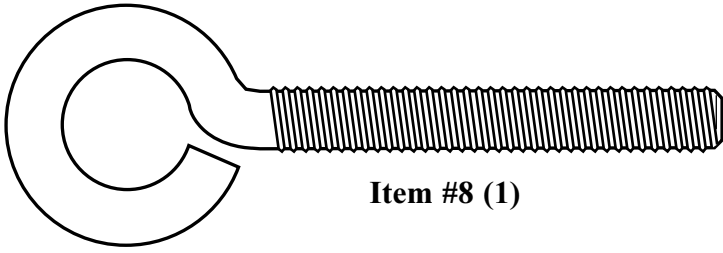
<u>Item</u>	<u>Qty.</u>	<u>Part No.</u>	<u>Description</u>	<u>Item</u>	<u>Qty.</u>	<u>Part No.</u>	<u>Description</u>
				31	1	204803	Screw, Phillips Head
1	1	206336	Tank				
2	2	206330	Wheel Axle, 4-1/4 Long				
3	2	226401	Wheel, 4" (Black)				
4	1	904847	Top Pole Section	32	1	204855	Handle, Left
5	1	908024	Middle Pole Section	33	1	204856	Handle, Right
6	1	908487	Bottom Pole Section	34	2	900103	Board Bracket
7	1	202820	Rod, 3/8 O.D. x 4-3/4 Long	35	4	201683	Spacer .530 I.D. x.63 O.D. x 1.50 Long
8	1	202822	Eyebolt, 3/8-16 x 3-3/4 Long	36	2	200874	Spacer, Steel .402 I.D.x50 O.D.x1.5 L
9	1	202821	Disk, 2-3/4 Diameter	37	1	206990	Reinforcement Bracket
10	1	203063	Nylon Insert Lock Nut, 3/8-16	38	4	201681	Spacer, Plastic, .530 I.D. x .875 Long
11	2	906410	Strut, 43" Long, With Flat Ends	39	7	206340	Lock Nut, Hex Head, 1/2-13
12	1	203220	Nut, Ny-lock, 5/16-18	40	2	904820	Elevator Tube, Lower - Long
13	7	203218	Washer, 5/16 Flat	41	1	204837	Spring
14	1	201625	Bolt, Yellow Dichromate, 5/16-18 X 3.60" Long	42	1		Rim
15	2	203798	Bolt, Hex Flange, 5/16-18 x 1-1/2 Long	43	2	904808	Elevator Tube, Upper - Short
16	9*	203100	Hex Flange Nut 5/16-18	44	2	201682	Spacer, .530 I.D. x 1.875 Long
17	1	204832	Bracket, Pole Mount	45	2	900867	Plate, Triangle, (Black)
18	2	203231	Carriage Bolt, 5/16-18 x 3-1/2 Long	46	1	202814	Cap, Pole Top
19	4	203232	Washer, Metal, 3/4" O.D.	47	6	206244	Bolt, Hex, 1/2-13 x 8 Long
20	4	201124	Lock Nut, Hex Head, 3/8-16	48	1	204870	Bolt, Hex, 1/2-13 x 3-1/2 Long
21	4	206360	Bolt, Hex Head, 3/8-16 x 2-5/8 Long	49	2	203617	Plug Cap
22	2	204858	Spacer, Biscuit, Plastic	50	12	201219	Smart Clip, Net Holder
23	2	204857	Spacer, Metal 1/2" O.D.x1.44 Long	51	1		Net
24	2	204859	Cover, Spring	52	1	201568	Anchor, T-strap
25	1	203038	Carriage Bolt, 5/16-18 x 2-3/4 Long	53	1	203124	Stake, Tie Down
26	1	204850	Pin, Locking	54	1	201252	Label, Height Adjustment and Moving
27	1	204853	Lanyard, Black Coil	55	4*	205528	Bolt, Hex Flange, 5/16-18 x 1 Long
28	1	904833	Height Adjustment Rod				
29	1	204872	Label, Height Indicator				
30	2	203103	Carriage Bolt, 5/16-18 x 2 Long				

* YOU MAY HAVE EXTRA PARTS WITH THIS MODEL.

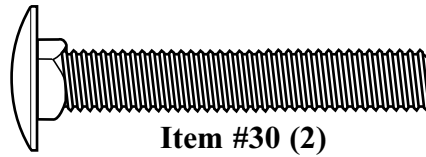
HARDWARE IDENTIFIER (NUTS & WASHERS, STEEL RODS & STEEL SPACERS)



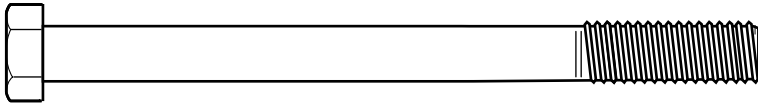
HARDWARE IDENTIFIER (BOLTS & SCREWS)



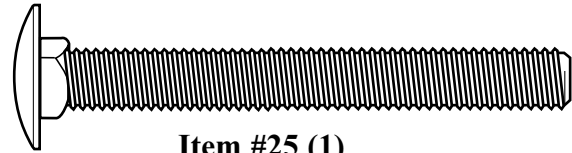
Item #8 (1)



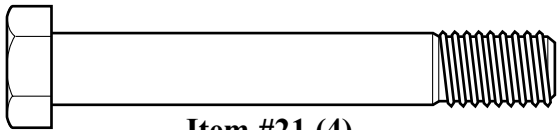
Item #30 (2)



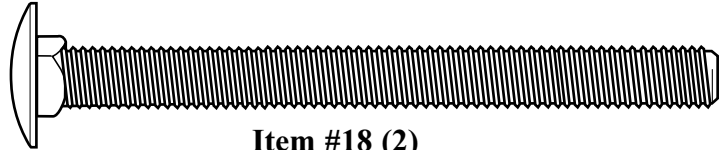
Item #14 (1)



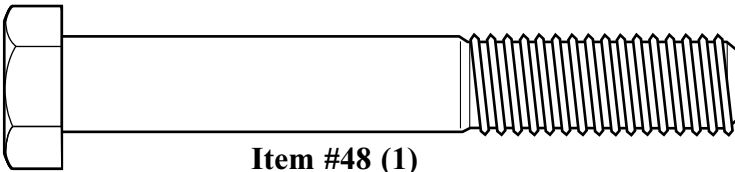
Item #25 (1)



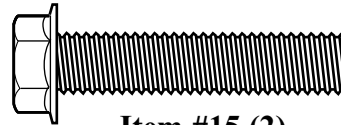
Item #21 (4)



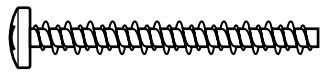
Item #18 (2)



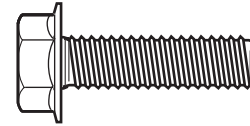
Item #48 (1)



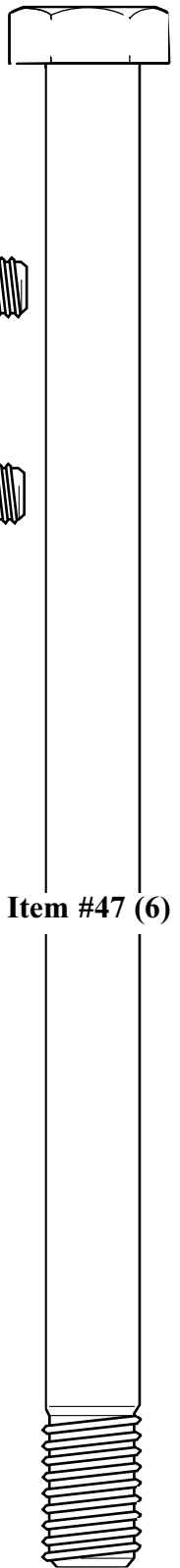
Item #15 (2)



Item #31 (1)



Item #55 (4)*

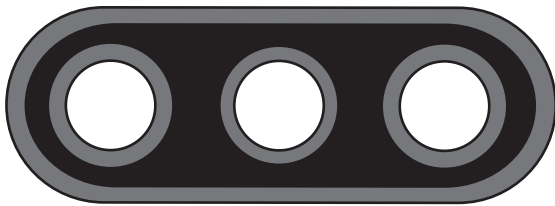


Item #47 (6)

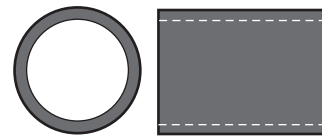
HARDWARE IDENTIFIER (PLASTIC SPACERS & CLIPS)



Item #50 (12)



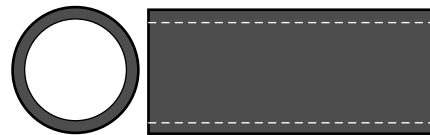
Item #22 (2)



Item #38 (4)



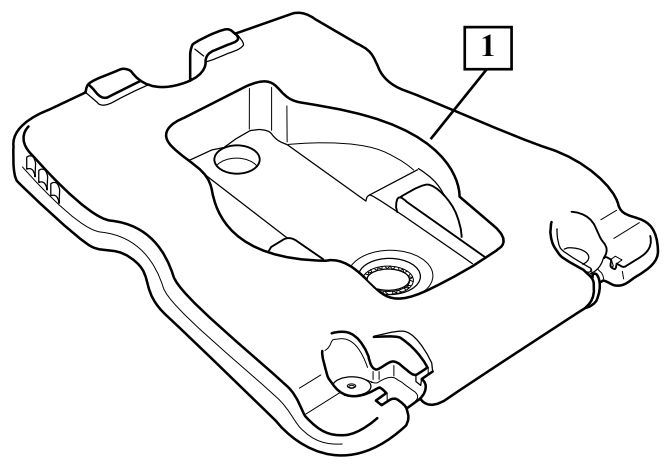
Item #44 (2)



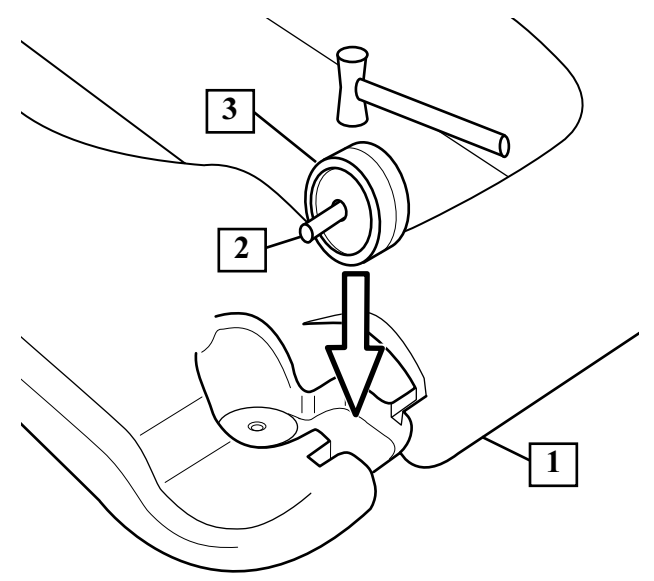
Item #35 (4)

* You may have extra parts with this model.

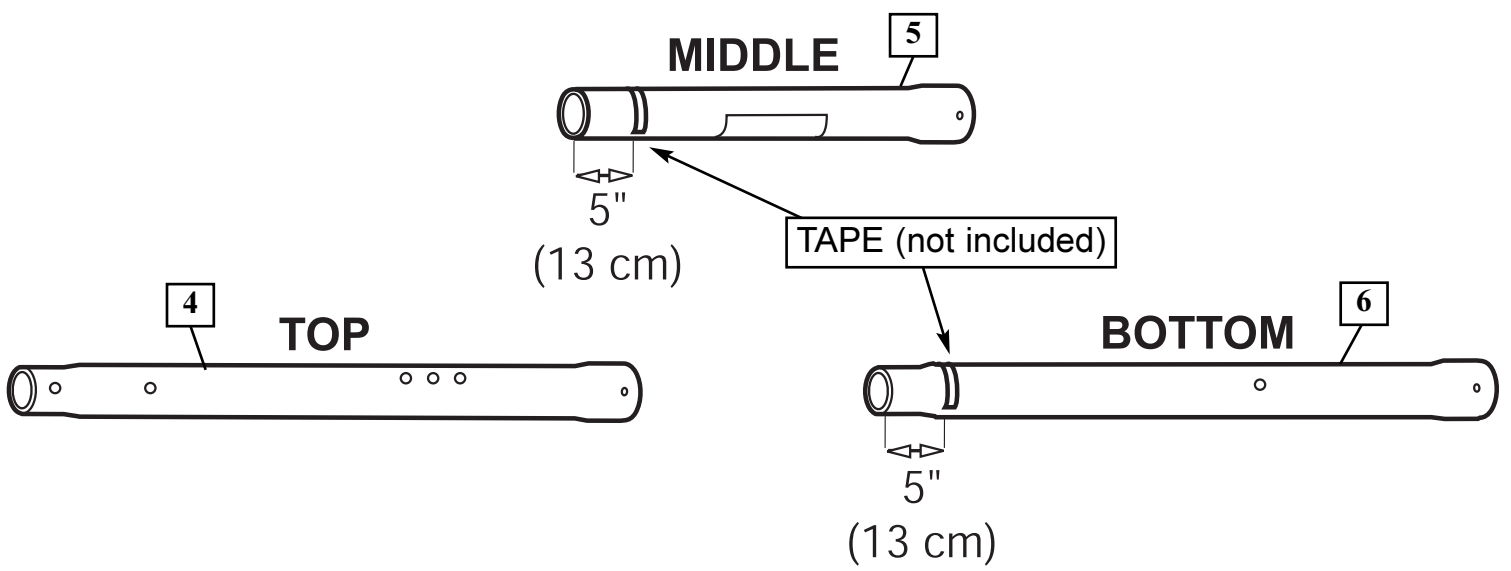
1. Remove all contents from underside of tank. Keep tank (1) bottom side up



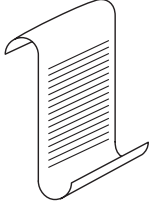
2. Insert axle rod (2) through wheel (3), as shown. Secure wheel assembly to tank (1) by tapping wheel downward with hammer, snapping it into position. Repeat for opposite side, then carefully, turn tank (1) over.



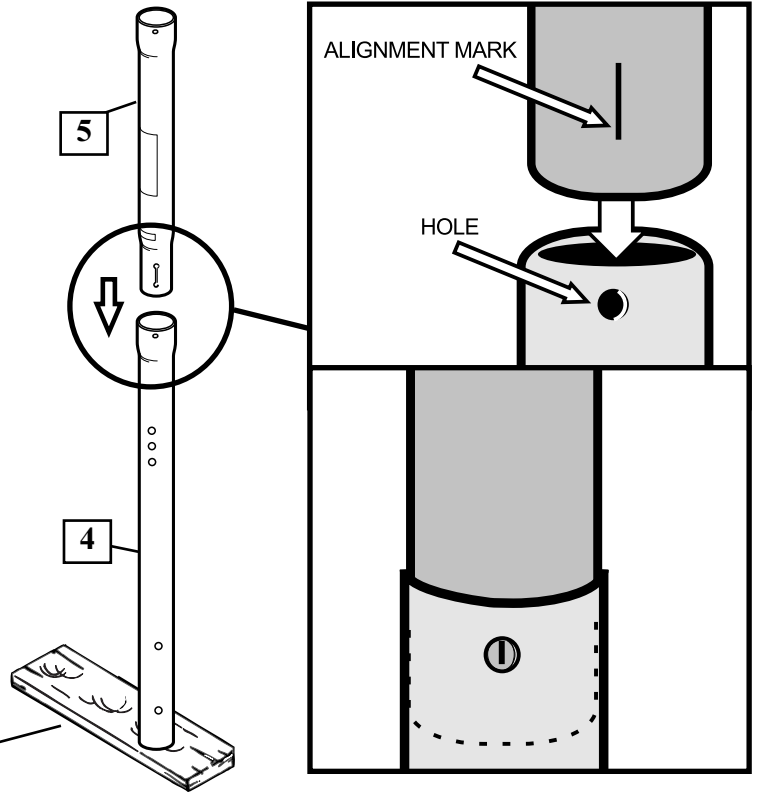
3. Mark pole sections with tape as shown.



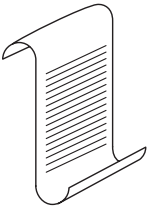
4. **IMPORTANT!** Center alignment slot of middle pole section (5) in a lower hole of top pole section (4) as shown. While maintaining alignment, bounce middle pole (5) into top pole section (4) as shown until top pole section no longer moves toward taped reference mark on middle pole. Upright assembly.

	NOTE:
	POLE SECTIONS SHOULD HAVE A 3-1/2" (9 CM) MINIMUM OVERLAP.

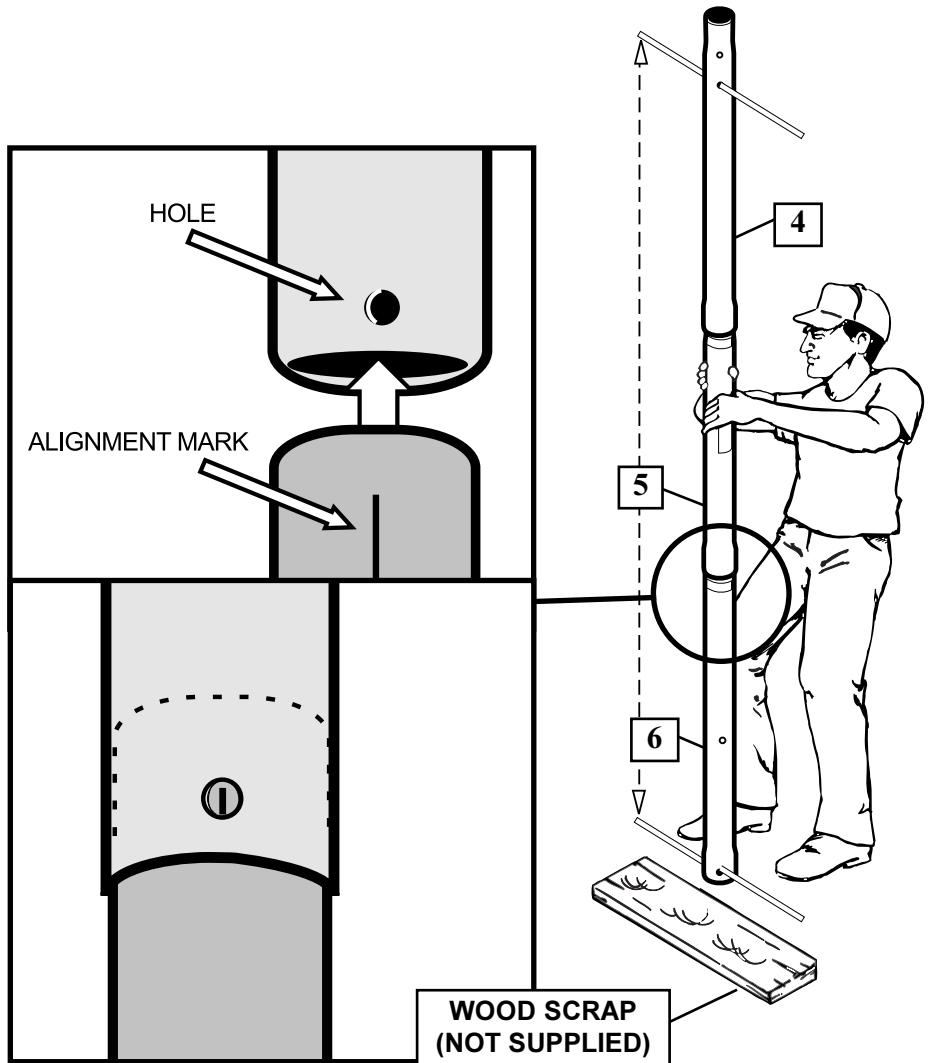
WOOD SCRAP (NOT SUPPLIED)



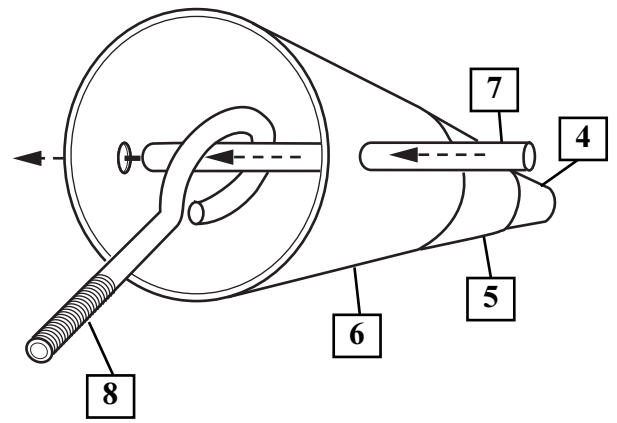
5. **IMPORTANT!** Center alignment slot of lower pole section (6) in a lower hole of middle pole section (5) as in step 3. While maintaining alignment, bounce top & middle pole assembly (4 & 5) onto lower pole section (6) as shown until top & middle pole assembly no longer moves toward taped reference mark on bottom pole.

	NOTE:
	POLE SECTIONS SHOULD HAVE A 3-1/2" (9 CM) MINIMUM OVERLAP.

WOOD SCRAP (NOT SUPPLIED)



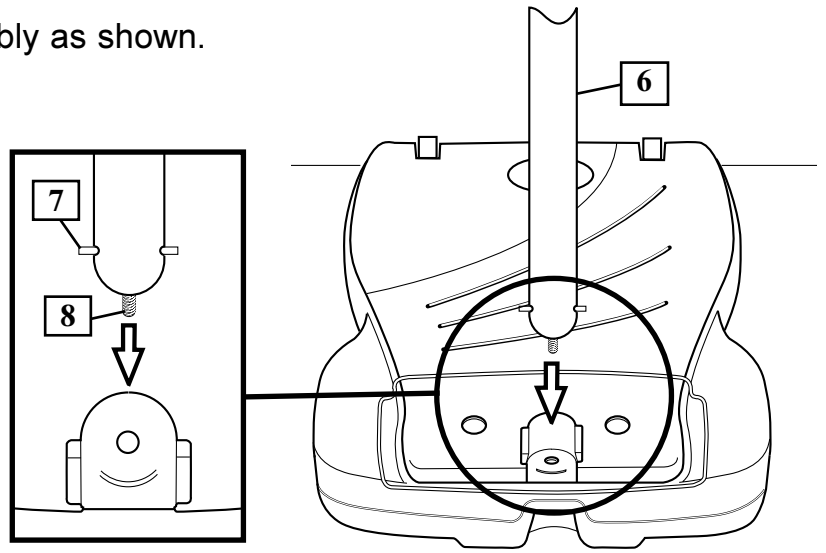
6. Install rod (7) through holes in bottom pole section (6) and eyebolt (8).



7. Insert pole assembly into tank assembly as shown.

	⚠ WARNING!
	TWO PEOPLE REQUIRED FOR THIS PROCEDURE. FAILURE TO FOLLOW THIS WARNING COULD RESULT IN SERIOUS INJURY AND/OR PROPERTY DAMAGE.

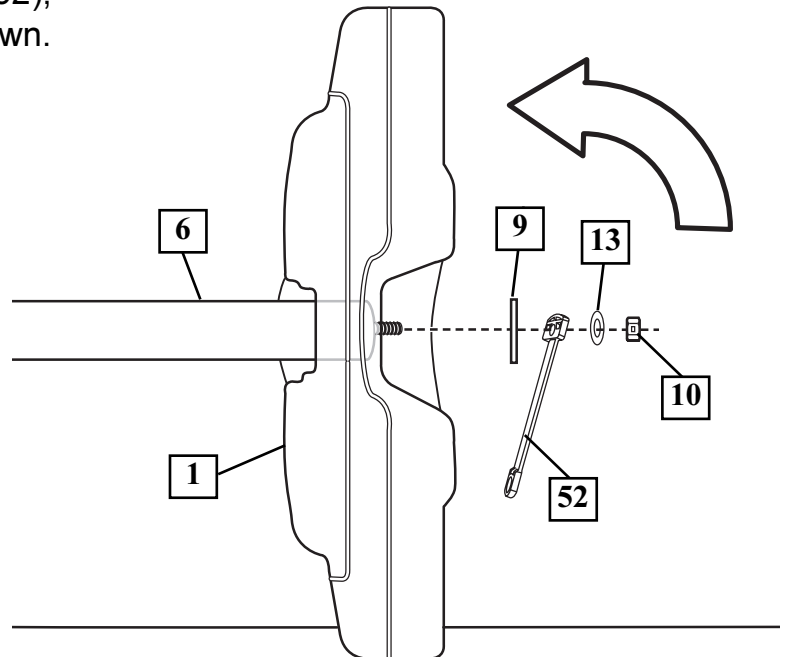
	IMPORTANT!:
	DO NOT OVER TIGHTEN



8. Carefully place unit on its side. Secure pole bottom (6) to tank with anchor strap (52), washers (9 & 13) and nut (10) as shown. Upright unit.

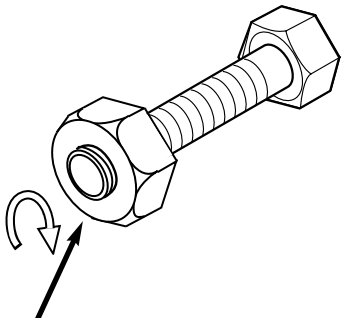
	NOTE:
	Keep unnecessary pressure off of the pole assembly when in this position. Two people recommended for this procedure.

	IMPORTANT!:
	DO NOT OVER TIGHTEN

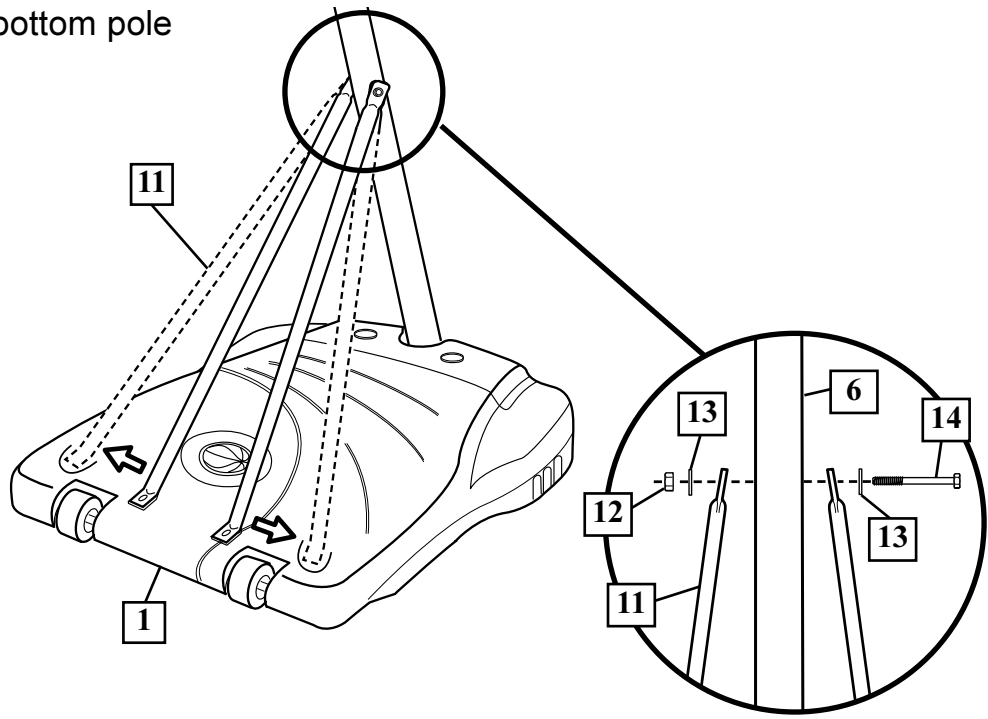


9. Secure strut tubes (11) to bottom pole section (6) as shown.

! WARNING!

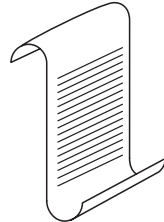


TIGHTEN BOLT (14) IN LOCK NUT (12) UNTIL FLUSH (EVEN) WITH LOCK NUT'S OUTER EDGE.

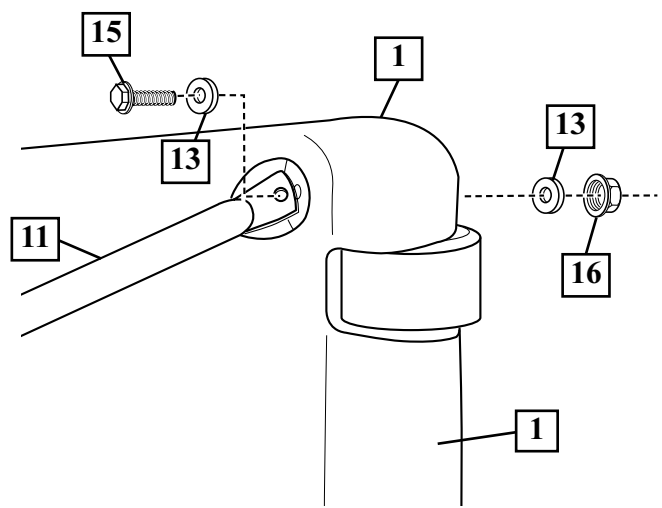


10. Carefully place unit in the side position and secure strut (11) to tank (1) as shown. Completely tighten. Repeat for opposite side. Upright unit.

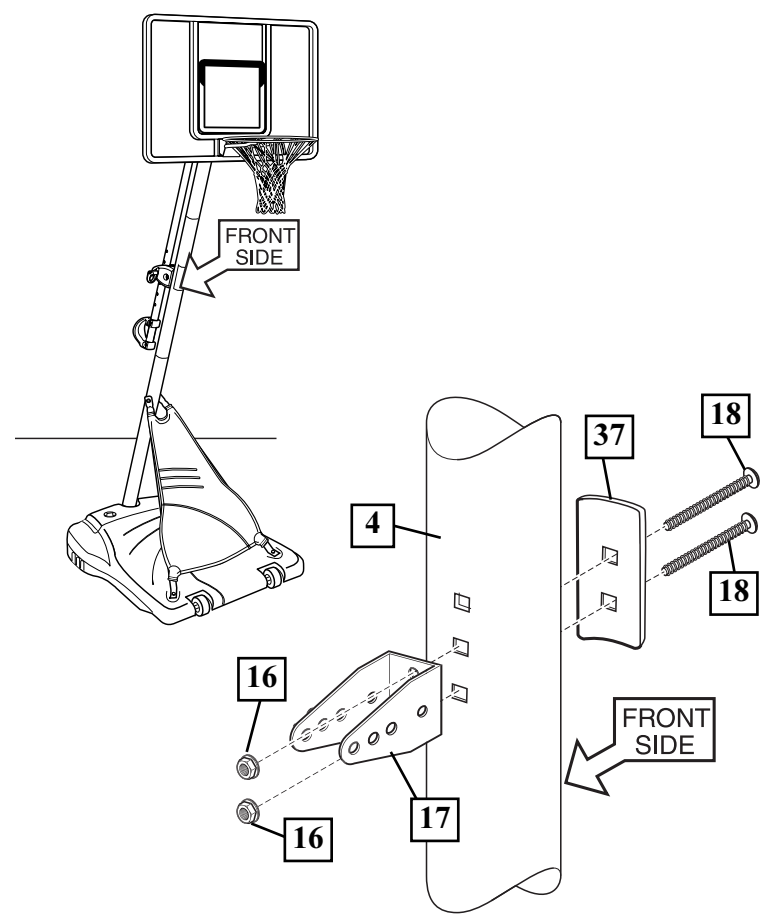
NOTE:



Keep unnecessary pressure off of the pole assembly when in this position. Two people recommended for this procedure.



11. Install pole mount bracket (17) and reinforcement bracket (37) with carriage bolts (18) as shown. Tighten flange nuts (16) completely.



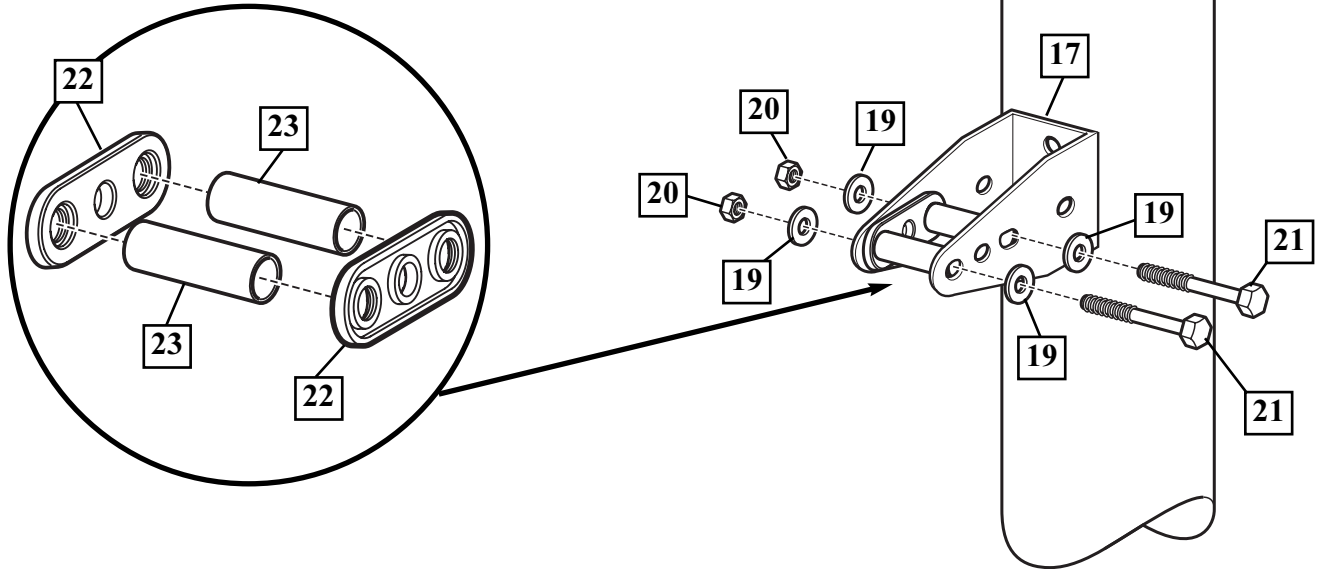
12.

Attach spacers (22, 23) to pole mount bracket (17) with bolts (21), washers (19), and nuts (20) as shown.



IMPORTANT!:

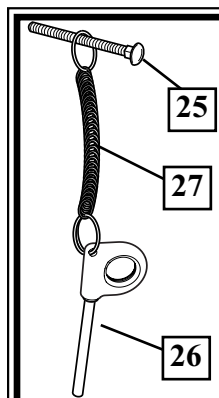
Tighten just until washers (19) stop moving.



13.

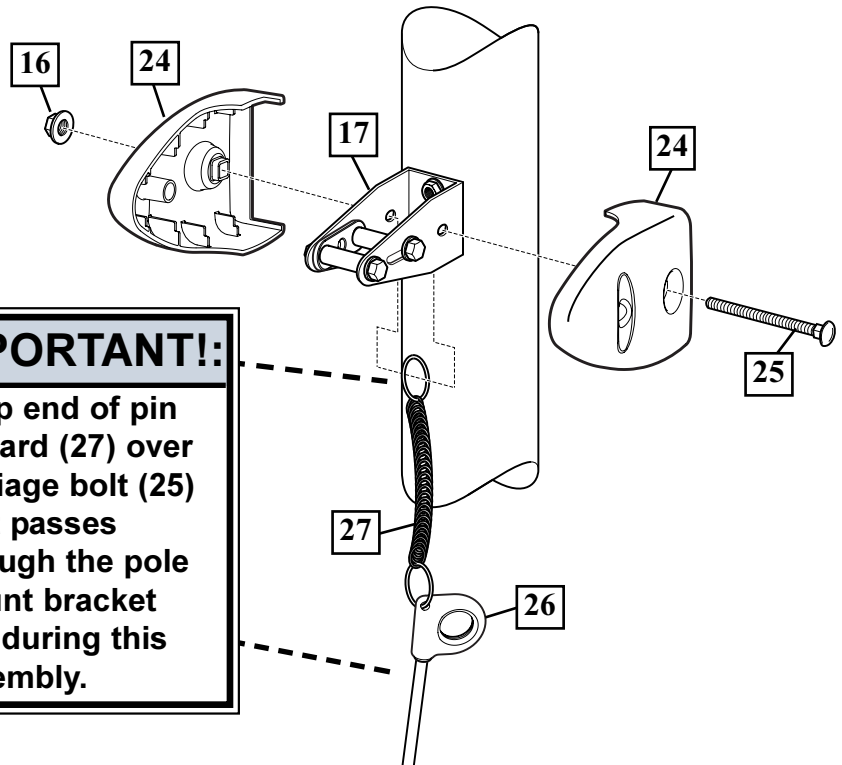
Assemble lanyard (27) to locking pin (26) as shown (**FIG A**). Attach covers (24) onto pole mount bracket (17) with carriage bolt (25) and nut (16) as shown.

FIG. A



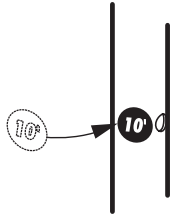
IMPORTANT!:

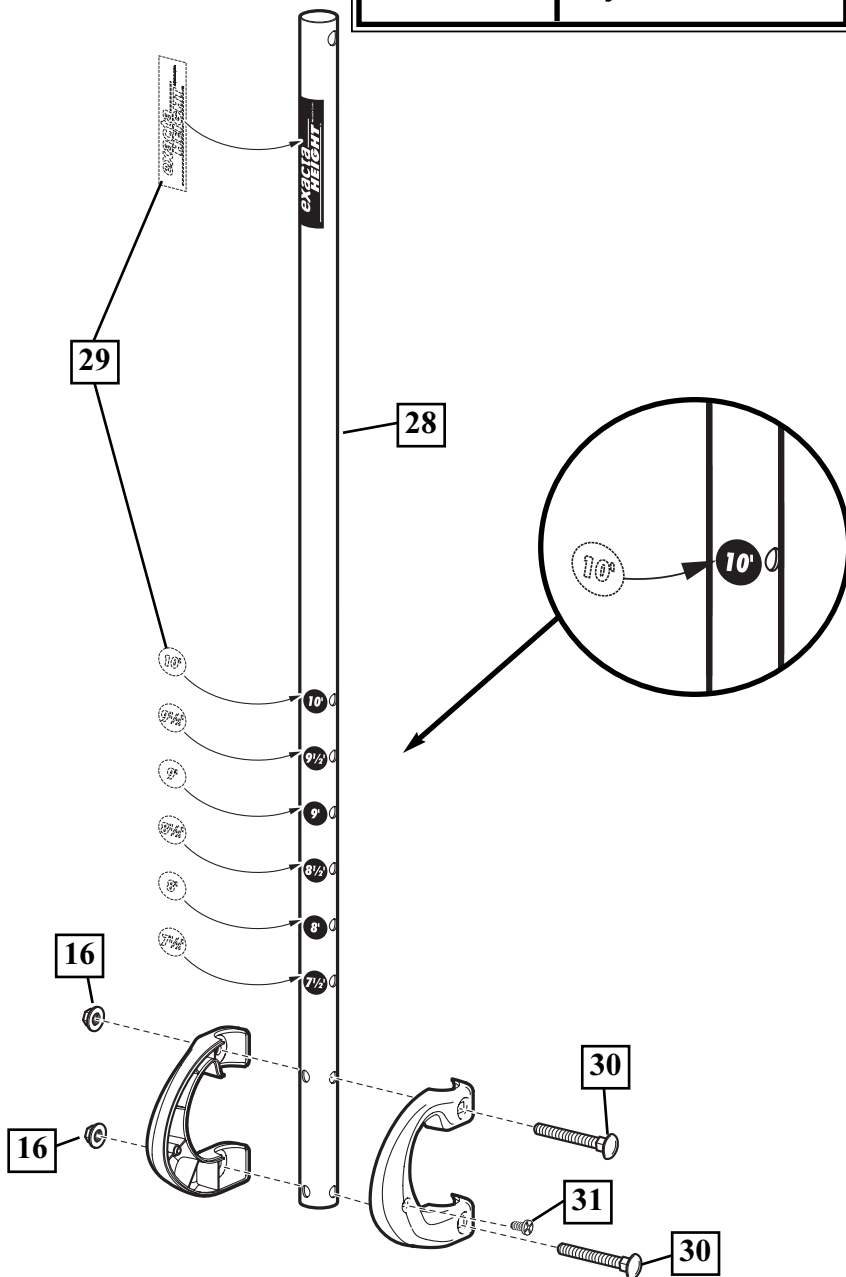
Loop end of pin lanyard (27) over carriage bolt (25) as it passes through the pole mount bracket (17) during this assembly.



14.

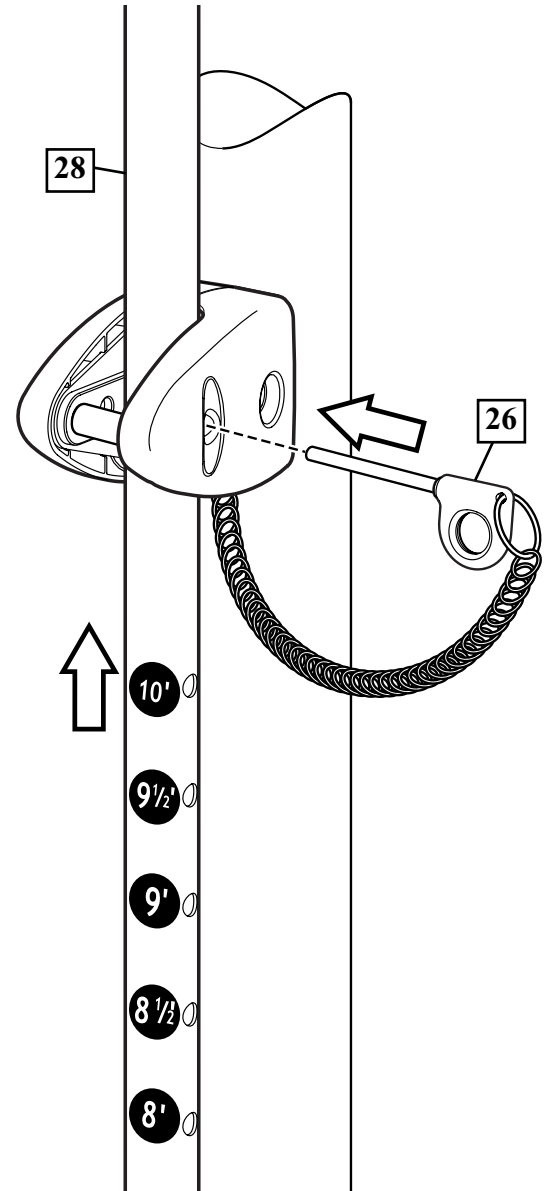
Apply logo and height indicator labels (29) to adjustment rod (28) as shown. Attach handle parts (32, 33) to adjustment rod with screw (31), carriage bolt (30), and flange nut (16) as shown.

IMPORTANT!:	
	Indicator labels should be applied as close to holes as possible to prevent labels from being damaged during height adjustment.



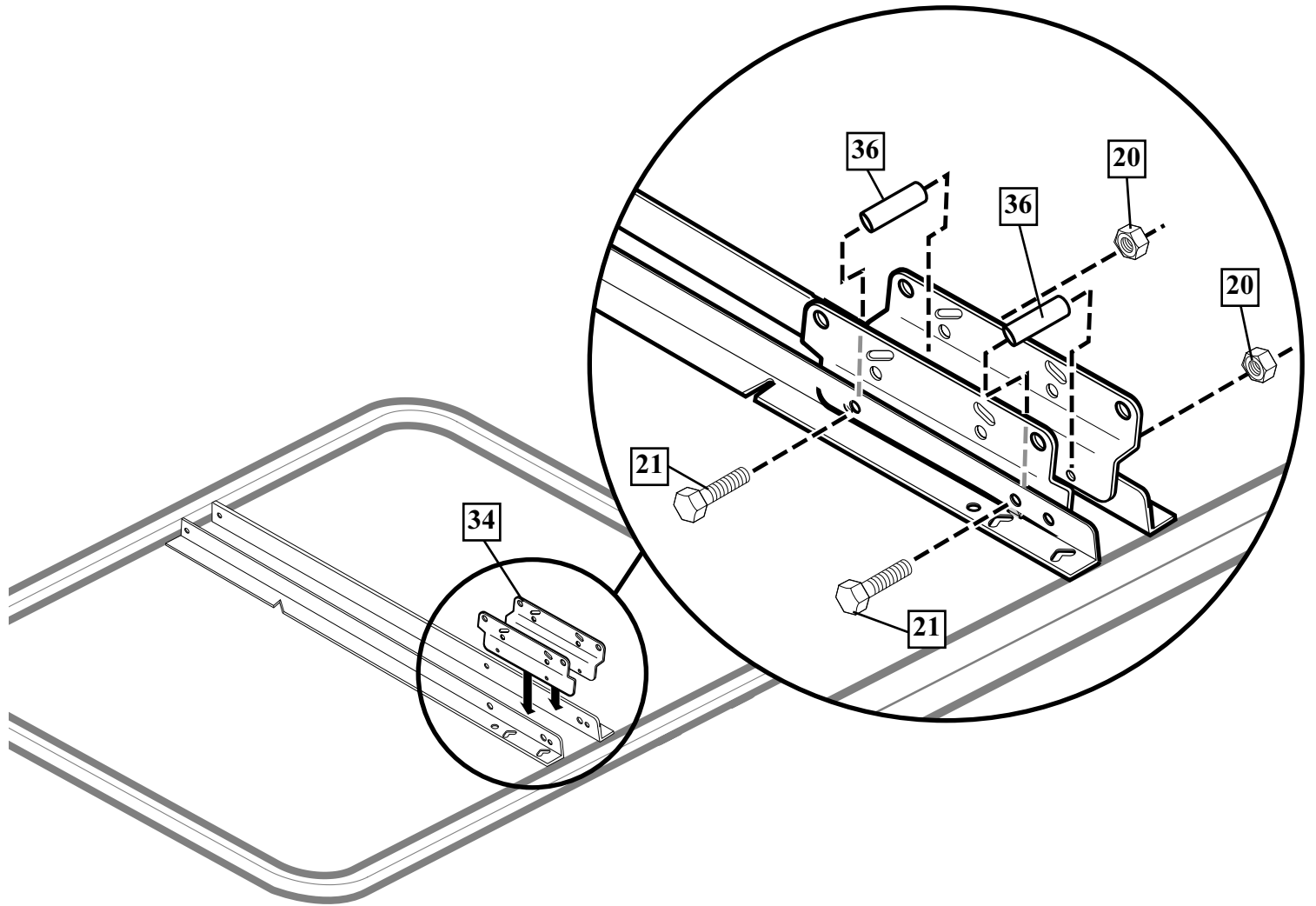
15.

Insert handle assembly through pole mount assembly as shown. Lock pole assembly in place at the 10' (3.05 m) mark with pin (26).

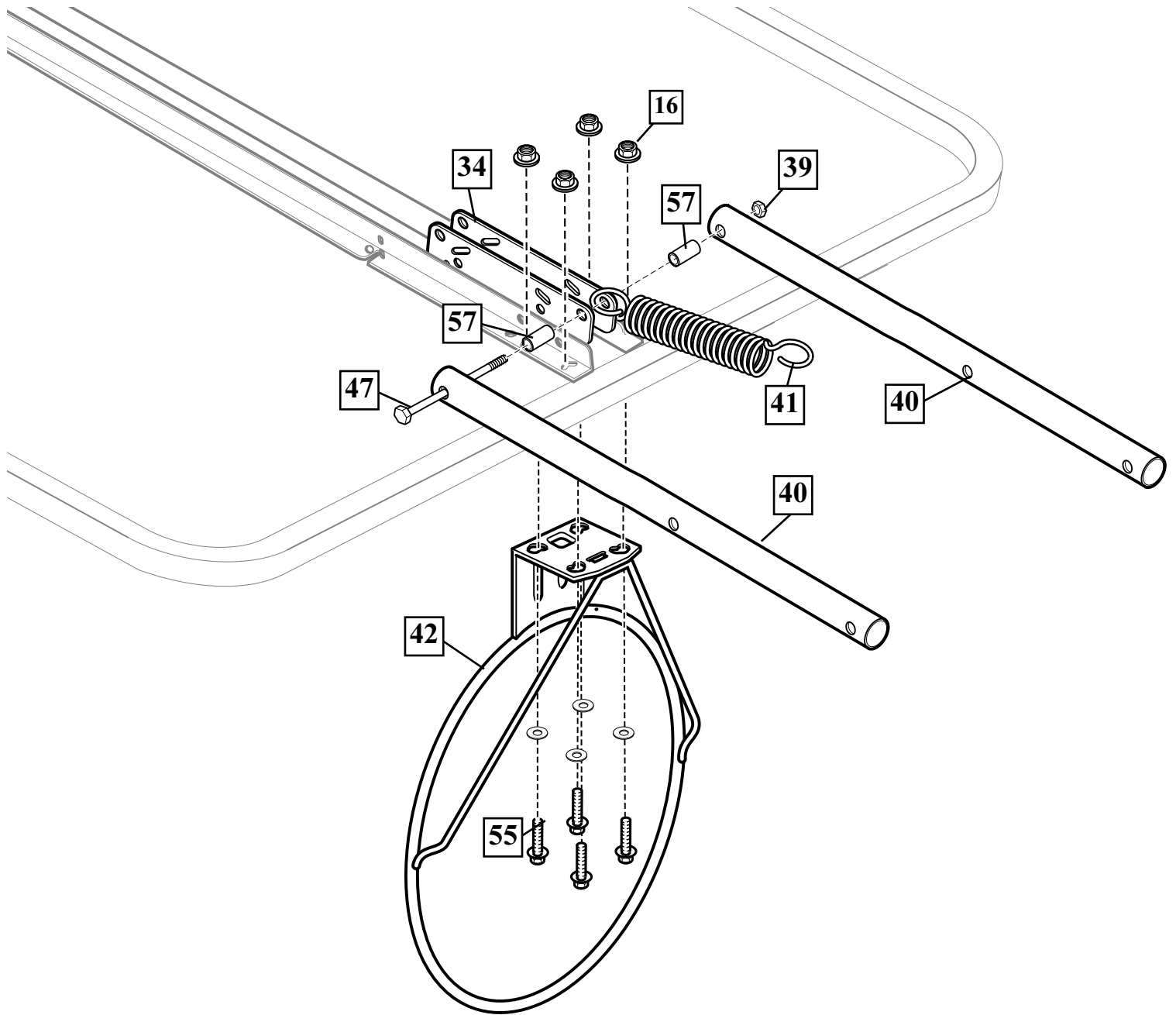


16.

Attach backboard support brackets (34) to the backboard frame using bolts (21), spacers (36), and nuts (20) as shown.

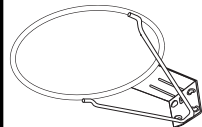


17. Attach rim to board as shown. For spring loaded rim assembly, refer to instructions included with rim hardware. Assemble lower elevator tubes (40) as shown. DO NOT overtighten.



IMPORTANT!:

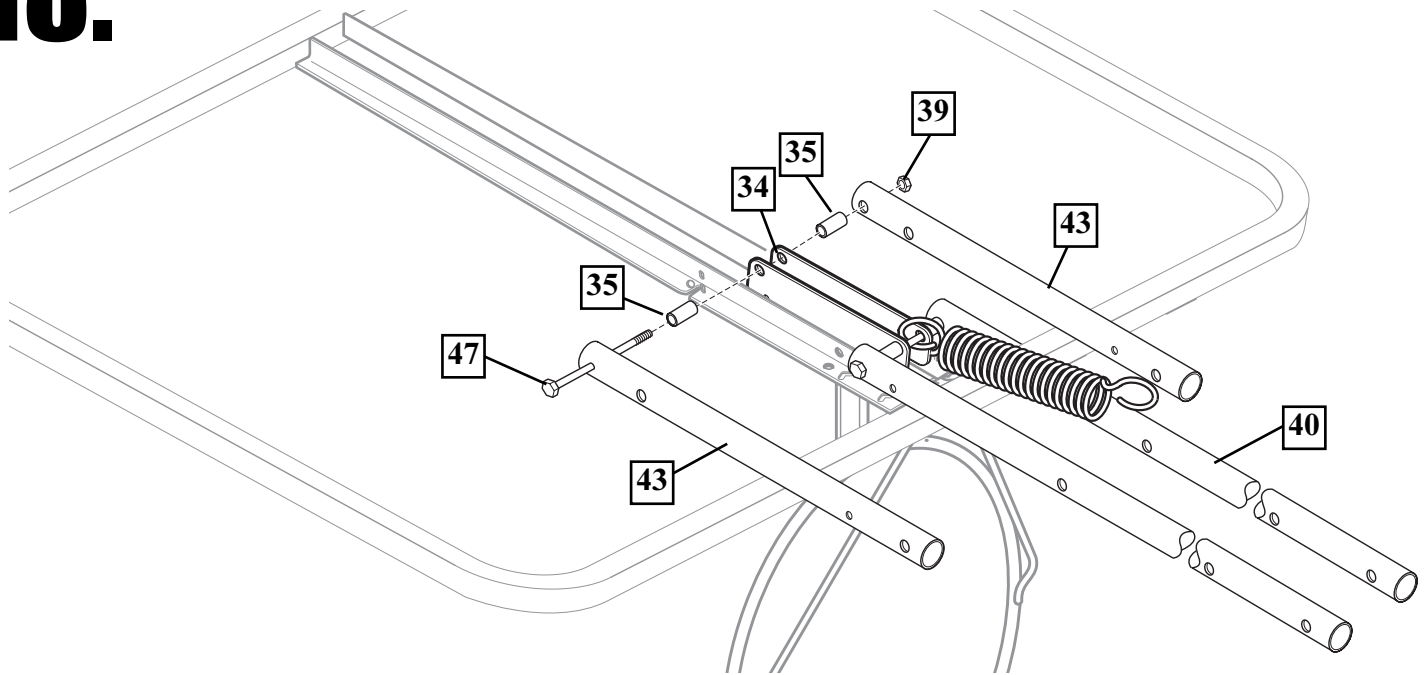
It is necessary for all parts to be installed for this mechanism to work safely and properly.



IMPORTANT!:

Refer to instructions included with board and rim hardware for backboard and rim assembly.

18. Assemble upper elevator tubes (43) to backboard brackets (34). DO NOT overtighten.

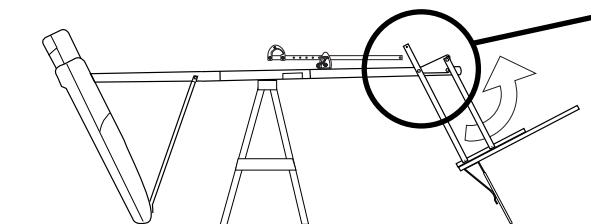
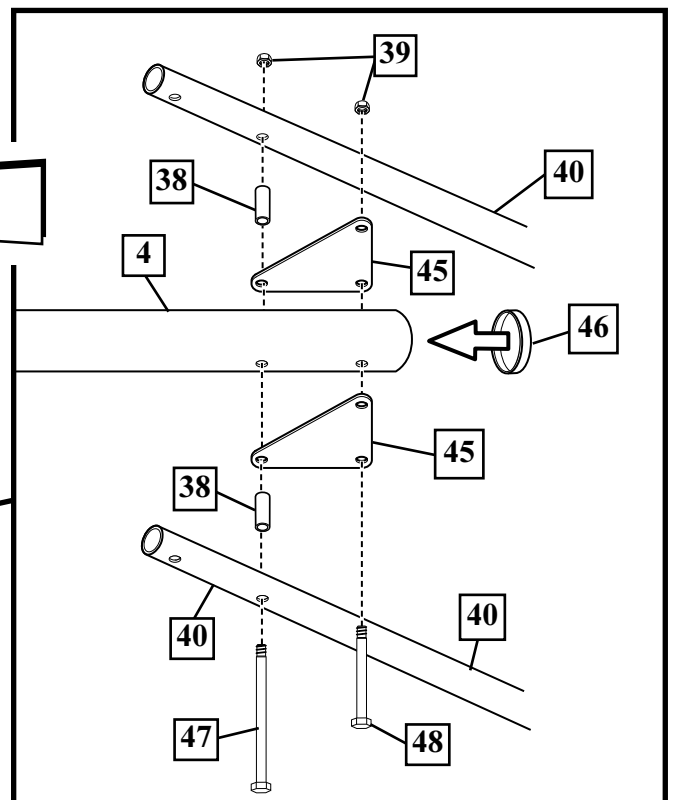


19. Support pole on sawhorse. Attach backboard assembly to top pole section (4) as shown. Install pole cap (46).

	IMPORTANT!:
	DO NOT OVER TIGHTEN

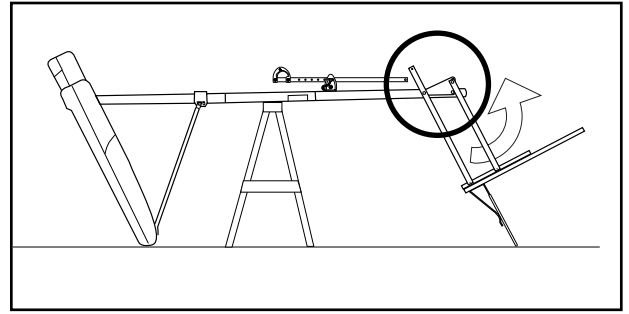
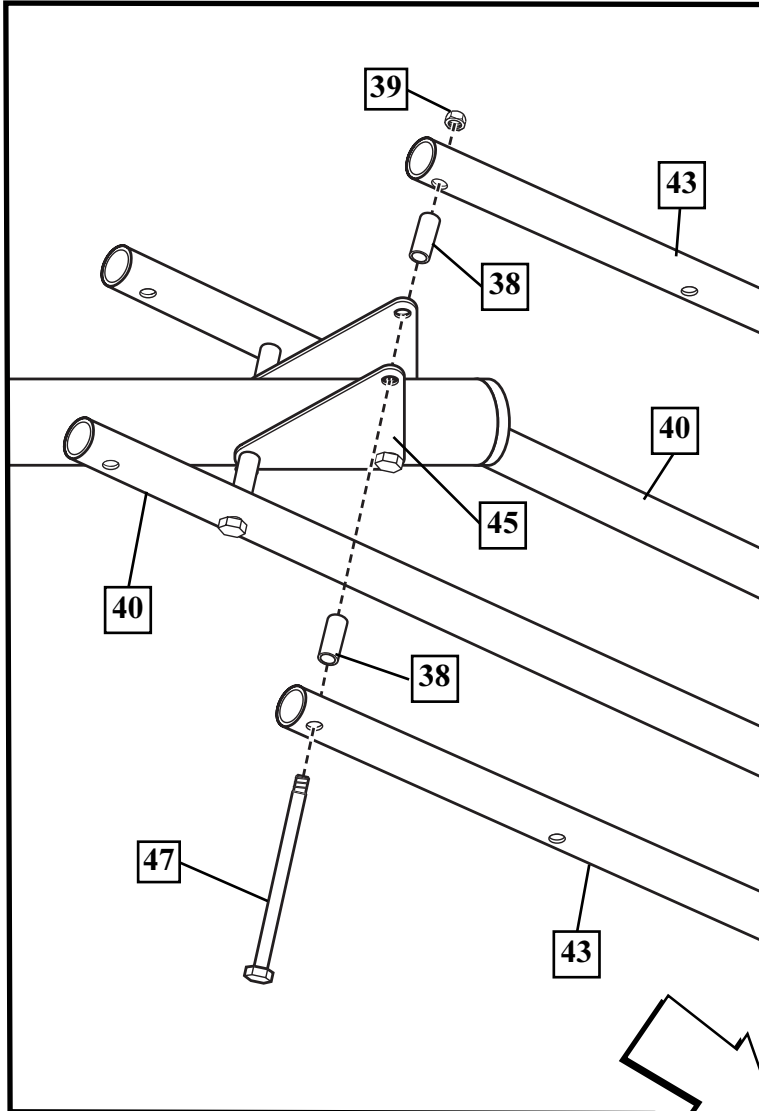
	WARNING!
	USE CAUTION; ELEVATOR ASSEMBLY IS HEAVY.
	TWO PEOPLE REQUIRED FOR THIS PROCEDURE. FAILURE TO FOLLOW THIS WARNING COULD RESULT IN SERIOUS INJURY AND/OR PROPERTY DAMAGE.

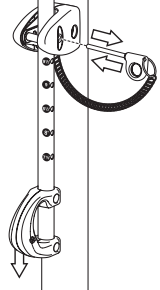
	NOTE: STEP 5 COMPLETED ASSEMBLY:



SAWHORSE OR SUPPORT TABLE

20 Install upper elevator tubes (43) to triangle plates (45) as shown. Then, install handle assembly to lower elevator tubes (40) using bolt (47), spacers (44), and nut (39) as shown.

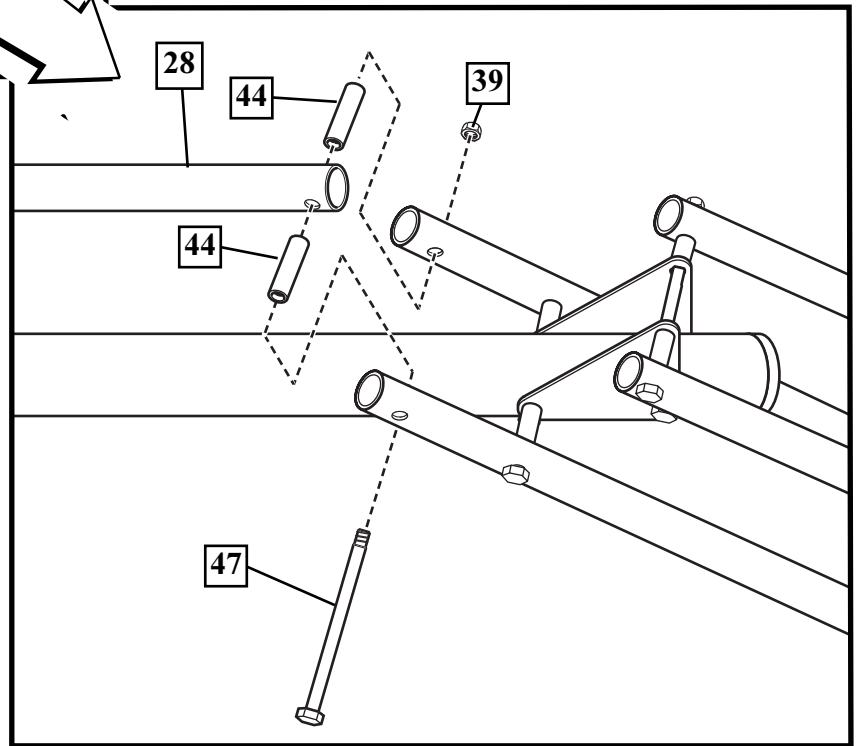


	NOTE:
	<p>Before going on to next step, set adjustable system assembly to the 10' (3.05 m) setting.</p>

	IMPORTANT!:
	<p>DO NOT OVER TIGHTEN</p>

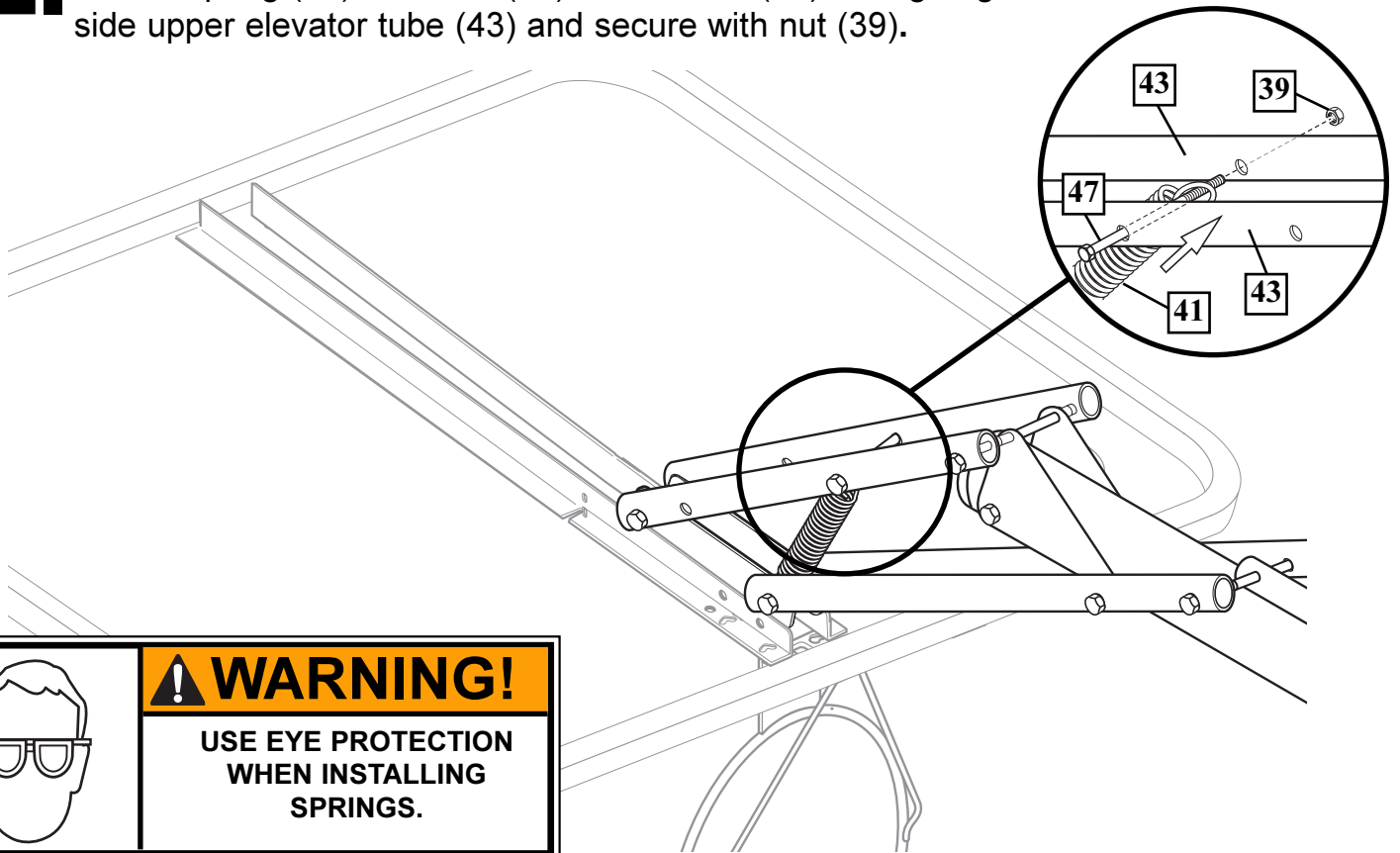
21.

Install handle assembly to lower elevator tubes (40) using bolt (47), spacers (44), and nut (39) as shown.



22.

Insert bolt (47) through left side upper elevator tube (43), then stretch spring (41) onto bolt (47). Insert bolt (47) through right side upper elevator tube (43) and secure with nut (39).

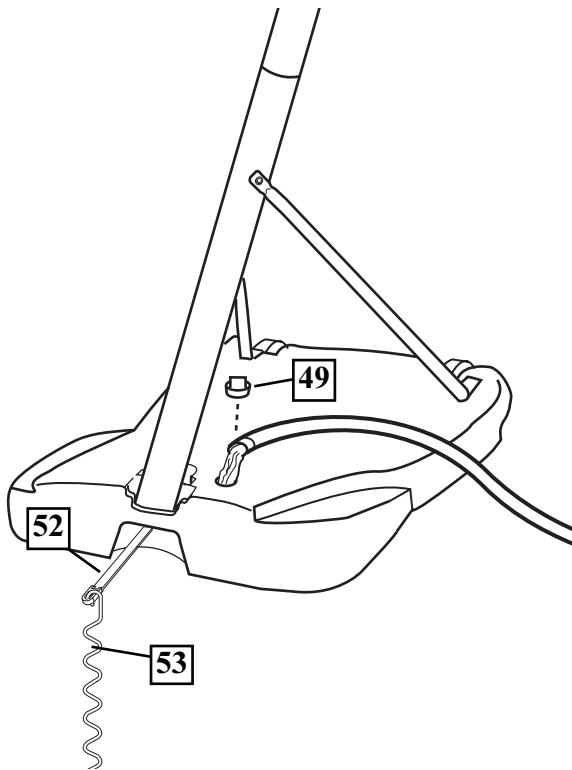


! WARNING!

USE EYE PROTECTION
WHEN INSTALLING
SPRINGS.

23.

Roll completed assembly to desired position. Secure assembly to ground using anchor strap (52) and tie down stake (53). Fill tank with water (approx. 30 gallons /115 Liters) or sand (approx. 255 lbs./113 kg) and snap cap (49) in place.



! WARNING!

DO NOT LEAVE
ASSEMBLY UNATTENDED
WHEN EMPTY; IT MAY TIP
OVER.



! CAUTION!

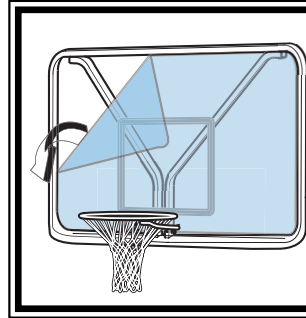
ADD TWO GALLONS (7.6
LITERS) OF NON-TOXIC
ANTIFREEZE IN SUB-
FREEZING CLIMATES.

24. While holding handle, remove pin (26).

25. Move elevator up or down to desired height.

26. Replace pin (26) full length to lock system at desired height.

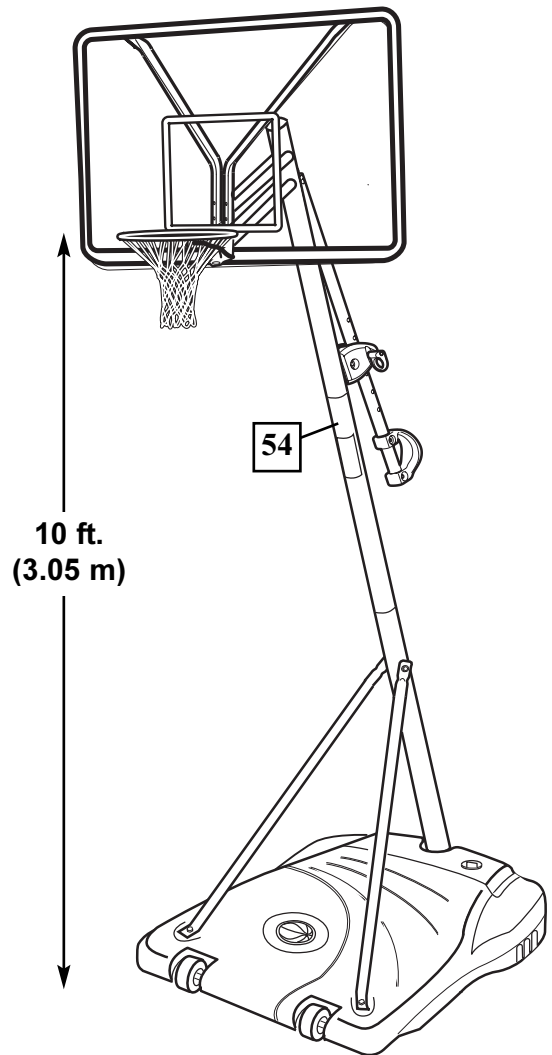
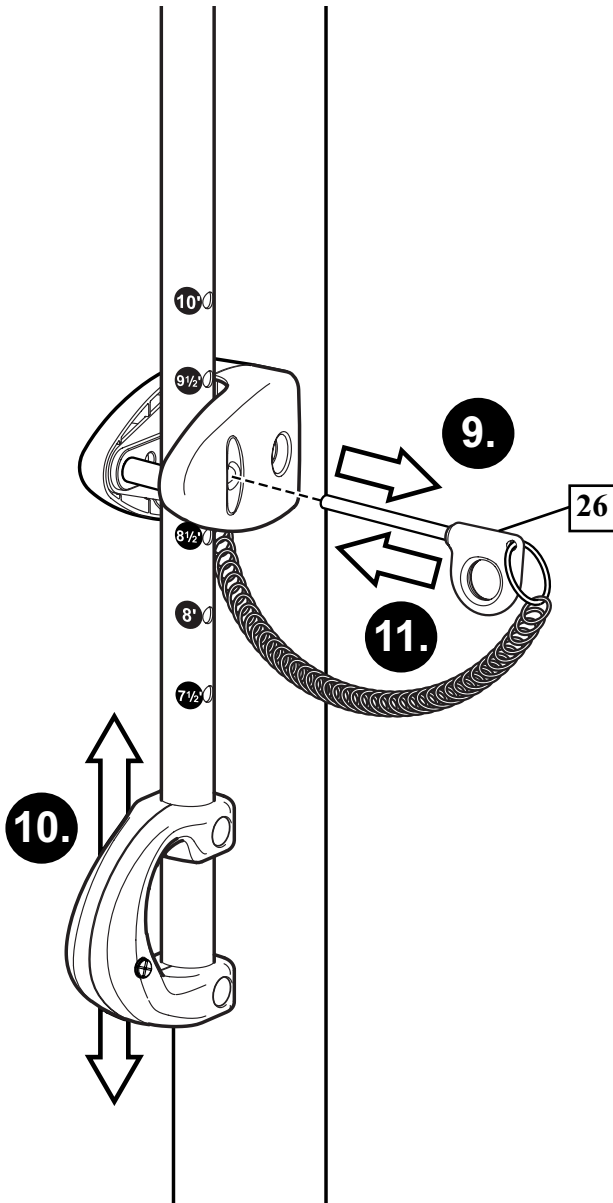
27. Apply height and transport label (54) to front of pole as shown.



NOTE:

Peel protective film from surface of acrylic backboard prior to use.

	! WARNING!
	DO NOT LEAVE ASSEMBLY UNATTENDED WHEN EMPTY; IT MAY TIP OVER.



28.

Install net clips.

Installez les pinces du filet.

Netzhalteklammern anbringen.

Instale los sujetadores de la red.

! WARNING:

Use of this product without proper installation of net clips, or when all net clips are not present could result in bodily harm. Be sure to follow directions carefully.



AVERTISSEMENT !

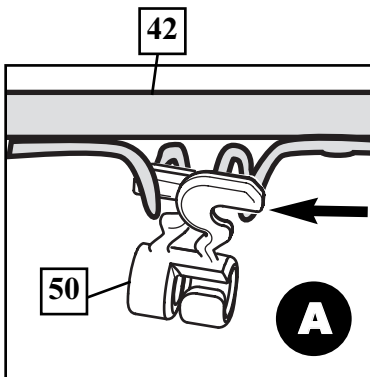
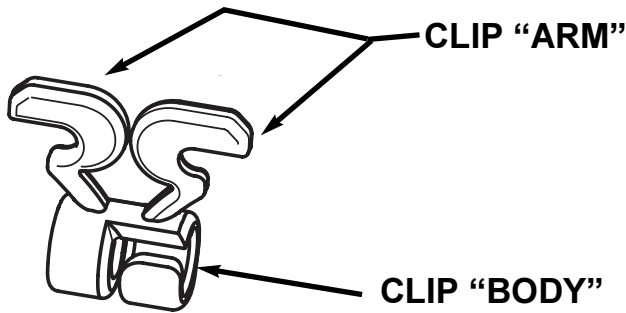
WARNING!

¡ADVERTENCIA!

L'UTILISATION DE CE PRODUIT SANS L'INSTALLATION CORRECTE DES SMART CLIPS® OU EN L'ABSENCE DE CERTAINES SMART CLIPS® EXPOSE LES JOUEURS À DES BLESSURES. VEILLEZ À SUIVRE SCRUPULEUSEMENT CES INSTRUCTIONS.

EIN GEBRAUCH DIESES PRODUKTS OHNE ORDNUNGSGEMÄSS ANGEBRACHTE SMART CLIPS® BZW. MIT FEHLENDEN SMART CLIPS® KANN VERLETZUNGEN NACH SICH ZIEHEN. DIE ANLEITUNG GENAU BEFOLGEN.

EL USO DE ESTE PRODUCTO SIN LA INSTALACIÓN ADECUADA DE LOS SUJETADORES SMART CLIP®, O LA FALTA DE ELLOS PUEDE DAR COMO RESULTADO DAÑOS CORPORALES. ASEGÚRESE DE SEGUIR CUIDADOSAMENTE LAS INSTRUCCIONES.

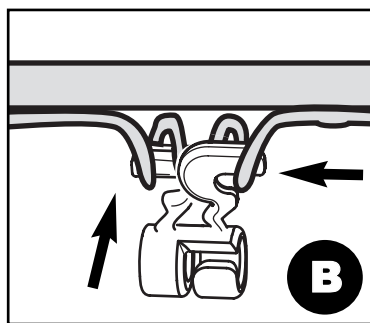


Insert one "arm" of clip (19) into ram (18) as shown. Twist "body" of clip slightly so that second "arm" slides over the top of the first "arm" as shown. Push in direction indicated by arrows.

Insérez un " bras " de la pince (19) dans l'éperon (18), comme illustré. Tournez légèrement le corps de la pince de sorte que le second bras glisse par-dessus le premier, comme illustré.

Einen Arm des Clips (19) wie gezeigt in die Spirale (18) einsetzen. Den Hauptteil des Clips etwas drehen, sodass der zweite Arm wie gezeigt oben über den ersten Arm geschoben werden kann.

Introduzca un "brazo" del sujetador (19) en el accionador (18) como se muestra. Tuerza ligeramente el "cuerpo" del sujetador de manera que el segundo "brazo" se deslice sobre el primer "brazo" como se muestra.

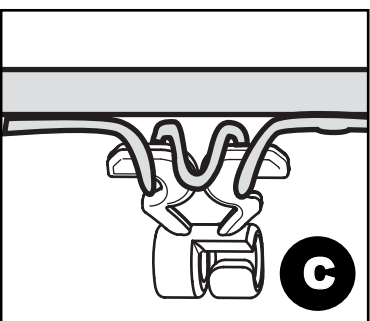


Push second "arm" back and into ram as shown.

Poussez dans le sens des flèches.

In die durch die Pfeile angezeigte Richtung schieben.

Empuje hacia la dirección que indican las flechas.



Twist "body" of clip slightly again to spread "arms" of clip. Clip "arms" must be flat and touching edge to edge as shown, not overlapping.

Tournez légèrement le corps de la pince une nouvelle fois pour en étaler les bras.

Den Hauptteil des Clips noch einmal leicht drehen, um die Arme des Clips zu spreizen.

Otra vez tuerza ligeramente el "cuerpo" del sujetador para abrir los "brazos" del sujetador.

NET INSTALLATION

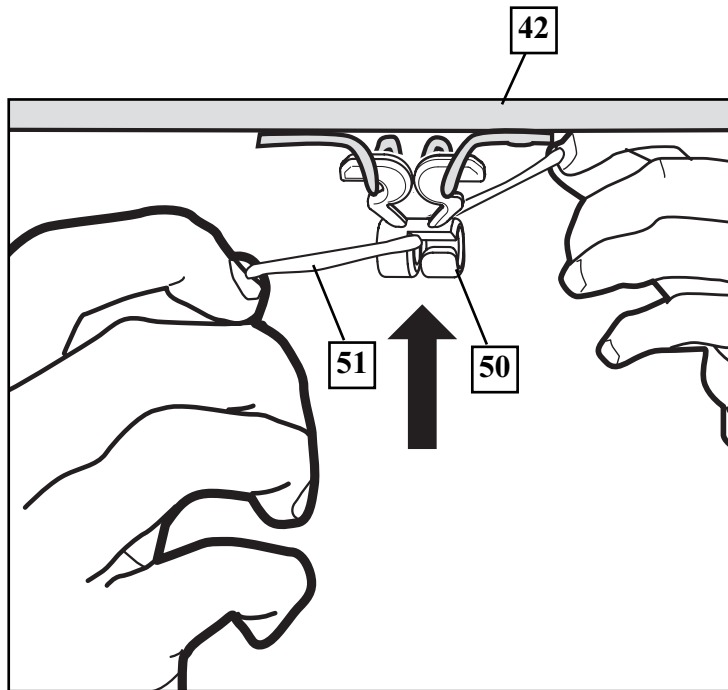
29.

Install net.

Installez le filet.

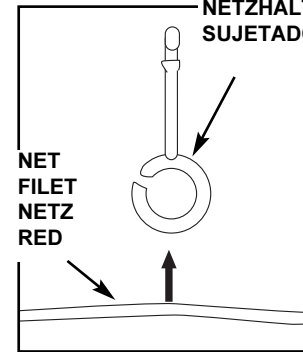
Das Netz anbringen

Instale la red.



SIDE VIEW
VUE DE CÔTÉ
SEITENANSICHT
VISTA LATERAL

NETCLIP
PINCE DE FILET
NETZHALTEKLAMMER
SUJETADOR DE LA RED



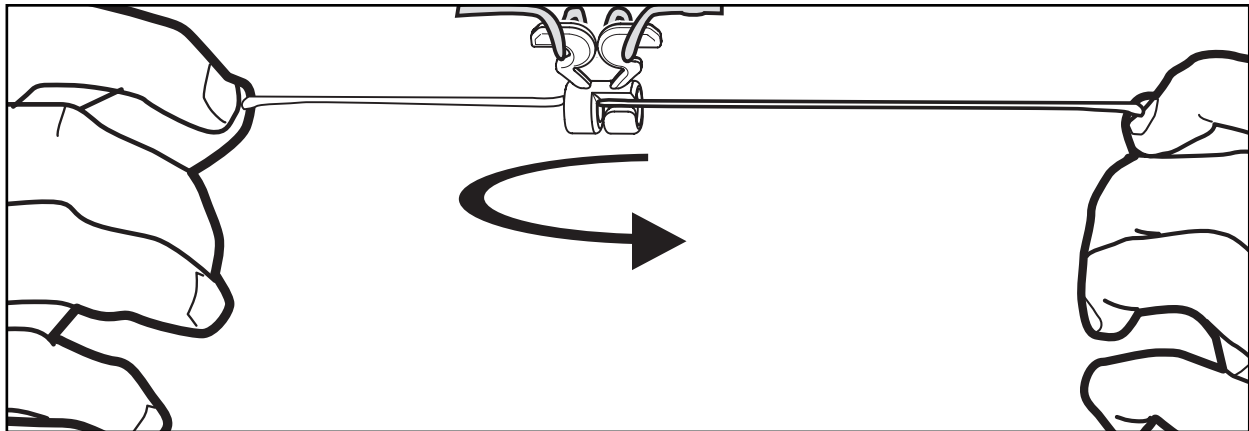
NET
FILET
NETZ
RED

Insert net into bottom of clip as shown.

Insérez le filet dans la base de la pince, comme illustré.

Das Netz wie gezeigt unten in den Clip stecken.

Introduzca la red en la parte inferior del sujetador como se muestra.



Twist net until it snaps into position.
Net must be centered through clip.

Tournez le filet jusqu'à ce qu'il s'enclenche en position.

Das Netz drehen, bis es einschnappt.

Tuerza la red hasta que quede conectada en su posición.

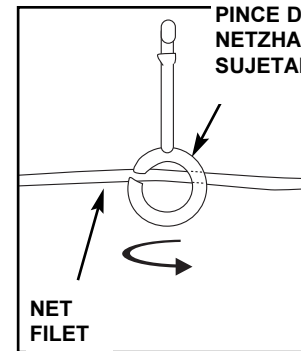
Le filet doit être centré dans la pince.

Das Netz muss im Clip zentriert werden.

La red debe quedar centrada a través del sujetador.

SIDE VIEW
VUE DE CÔTÉ
SEITENANSICHT
VISTA LATERAL

NETCLIP
PINCE DE FILET
NETZHALTEKLAMMER
SUJETADOR DE LA RED



NET
FILET
NETZ
RED